

D

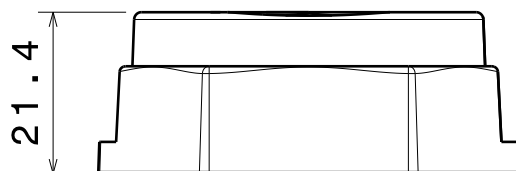
C

B

A

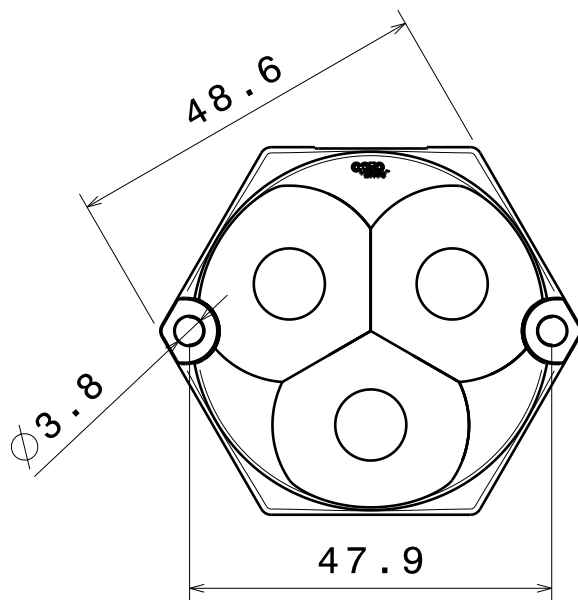
4

4



3

3



2

2

Top view

This drawing is our property.
It can't be reproduced
or communicated without
our written agreement.



DRAWING TITLE

Clara3-A integ.Lens-pcb assembly

DRAWN BY

pv

DATE

27.01.2009

CHECKED BY

HH

DATE

28.07.2008

SIZE

A4

DRAWING NUMBER

REV

1.0

DESIGNED BY

pv

DATE

23.07.2008

SCALE

1:1

WEIGHT (g)

SHEET

1/1

1

1

D

A