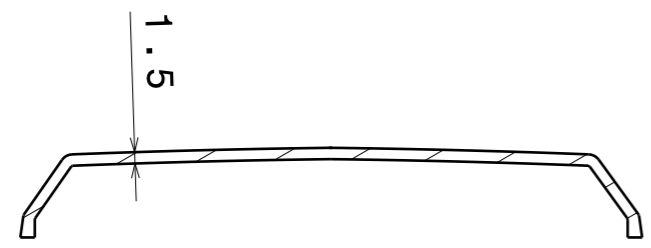
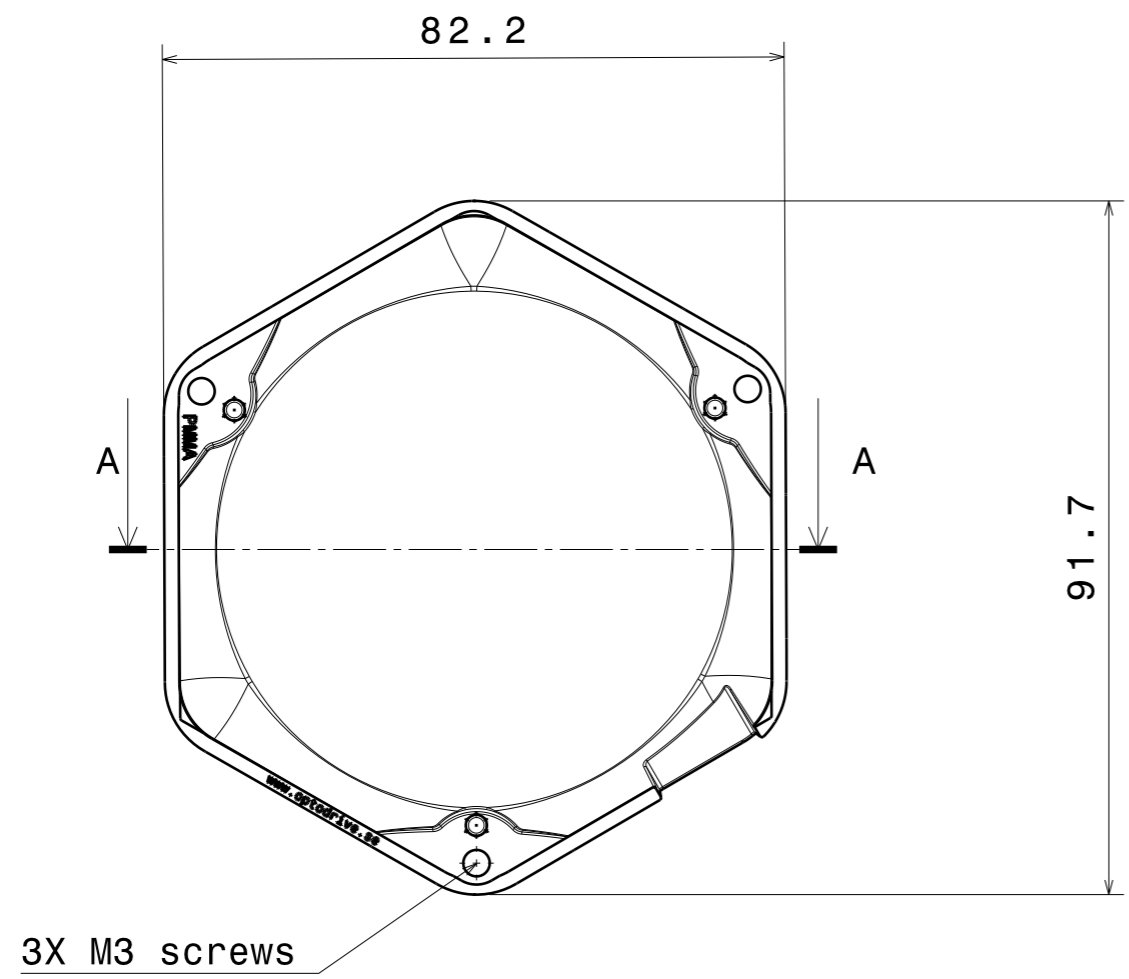
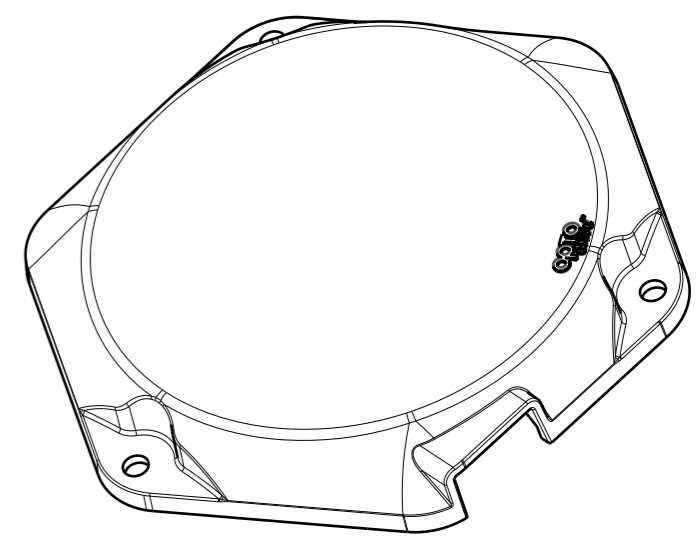


REV	DATE	DESCRIPTION	INIT
A	2011-03-02	RELEASED	FEH



Section cut A-A
Scale: 1:1



This drawing is our property. It can't be reproduced or communicated without our written agreement.		opto drive™		
DRAWING TITLE		Lins Svea Cover		
DRAWN BY	DATE	SIZE	DRAWING NUMBER	REV
Fredrik.Ehrenholm	2011-03-02	A3	102739	A
CHECKED BY	DATE			
Fredrik Pilerud	2011-03-02	SCALE	1:1	SHEET
DESIGNED BY	DATE			1/1
Fredrik Ehrenholm	xxx			