

D C B A

4

3

2

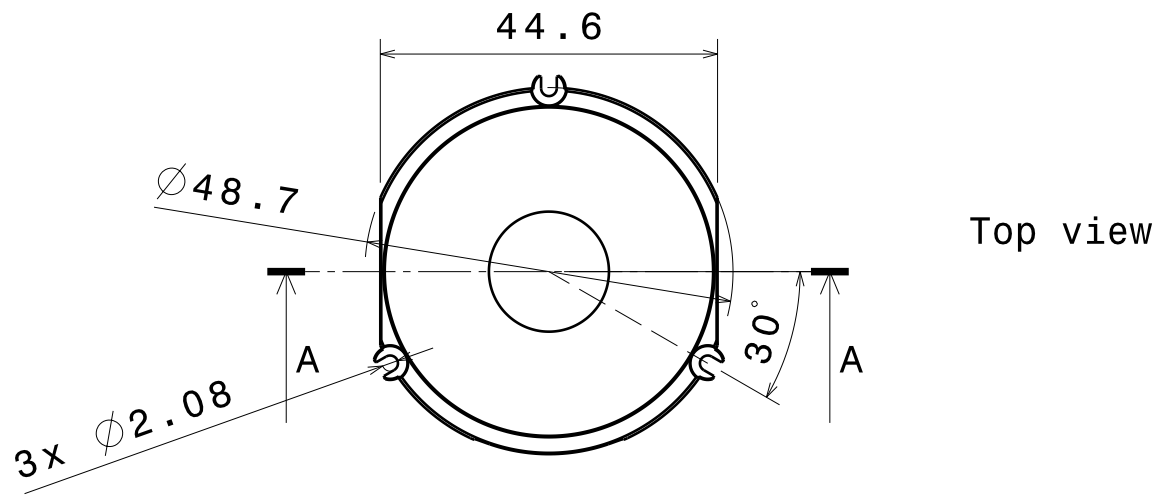
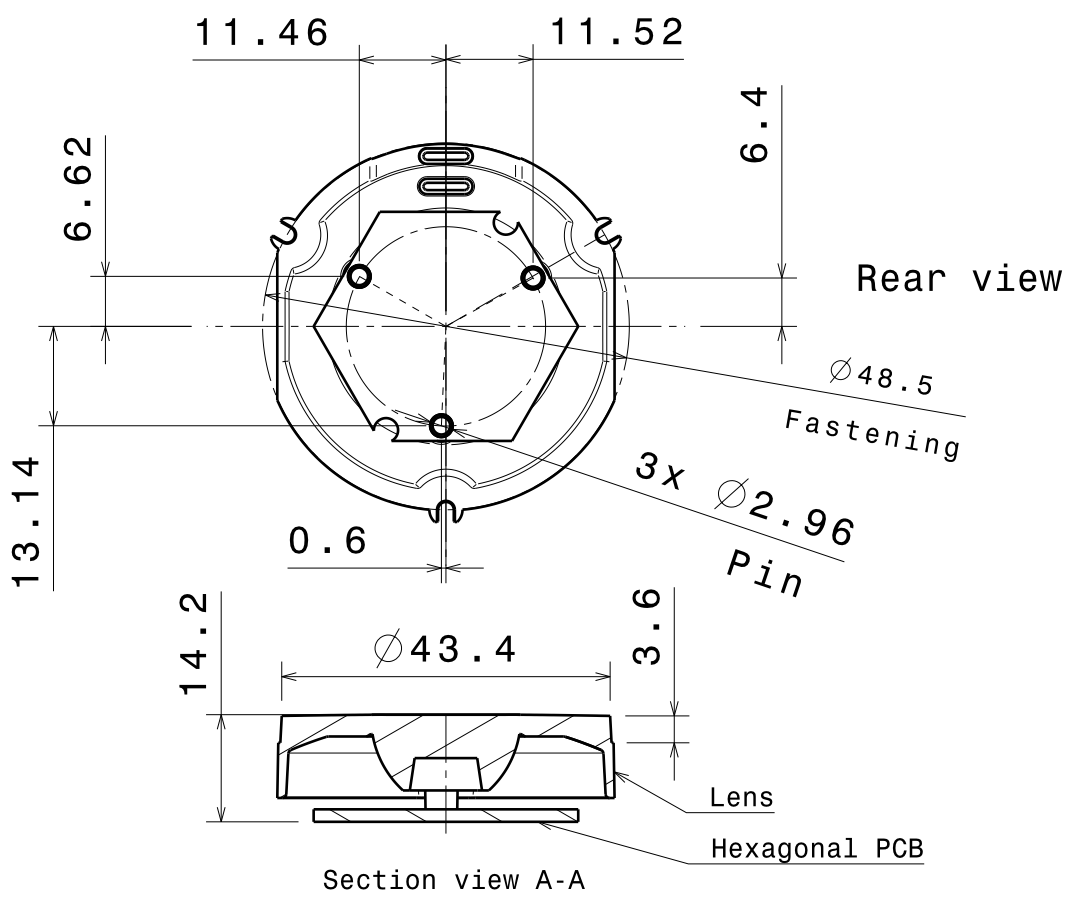
1

4

3

2

1



Material:
PMMA

Viewing angles:
P4 40°
P7 52°
AX3221 46°

This drawing is our property.
It can't be reproduced
or communicated without
our written agreement.



DRAWING TITLE

Steffi Lens

DRAWN BY
PV
DATE
30.03.2009

CHECKED BY
TK
DATE
12.01.2009

DESIGNED BY
HH
DATE
12.01.2009

SIZE A4 DRAWING NUMBER 10763 REV 1

SCALE 1:1 WEIGHT (g) SHEET 1/1

D A